



# Series 110 Omni-Valve

The valve that does it all ...

- Excellent Accuracy and Repeatability
- Maximum Versatility
- Gas or Liquid Metering
- Designed for Minimal Wear and Long Life

With the capability of operating in six different control modes, handling a wide range of chemicals, covering a wide range of capacities and having a multitude of control options, adjustable features and settings, the Hydro Omni-Valve is truly an all-in-one automatic control valve for vacuum feed.



## Control Options (all standard)

- Manual Control
- Proportional (Flow) Control
- Set Point (Residual) Control
- Set Point (ORP) Control
- Compound Loop (PID) Control
- Step Feed Rate Control

*Control modes are field selectable and can be changed at any time.*

## Highlighted Features

- 2 x 20 Character Liquid Crystal Display
- 4 Pushbutton User Interface
- Adjustable: Dosage, Set Points, Lag Time, Signal Filters, Display Ranges, Alarms & More
- Linear Operation Eliminates Rotary Drive Gears & All Rotating Motion
- Broad Range of Chemicals & Capacities
- 4-20 mA Output
- Password Protected Settings
- Triple O-Ring Shaft Seal

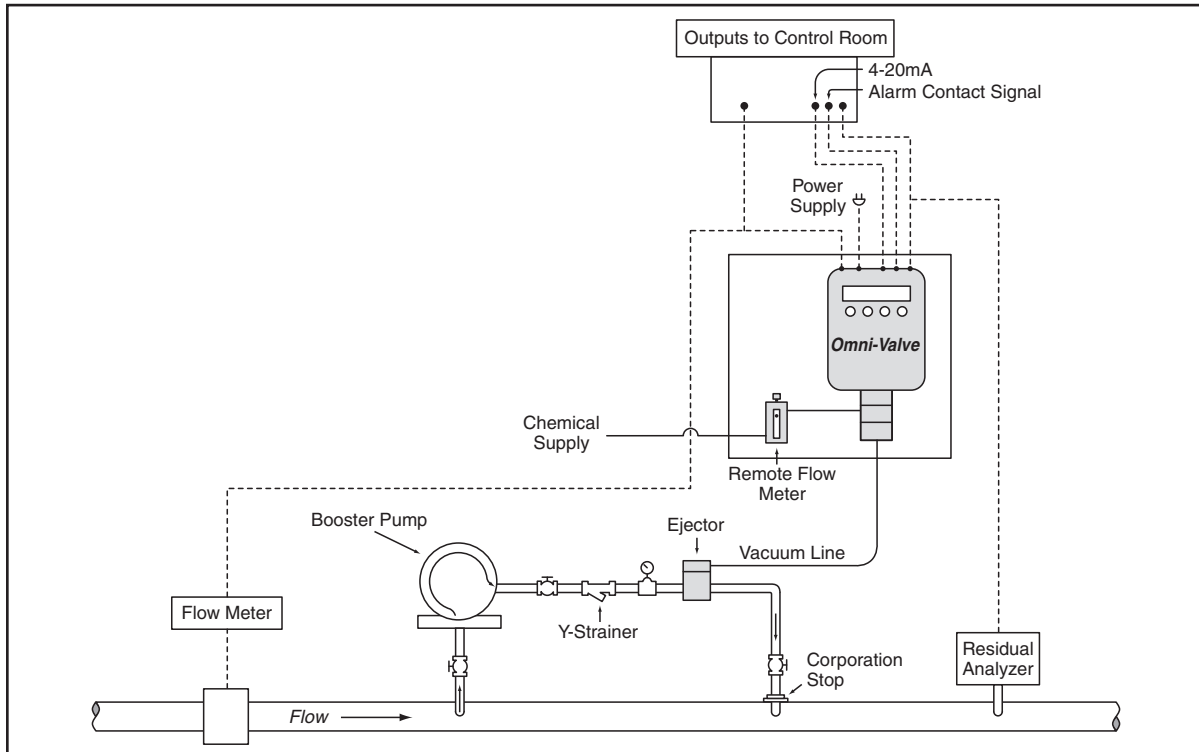
Hydro **Omni-Valve** is the next generation of the Hydro AV-100 Autovalve. By adding features, refining and simplifying several existing features, lengthening the variable area orifice by over 100% and replacing the rotary drive assembly with a simple linear design, Hydro Instruments has taken a versatile, accurate and reliable automatic valve and improved it in every respect.

State-of-the-art microprocessor technology, high quality materials of construction, precision machining and a minimal number of moving parts combine to make the **Omni-Valve** extremely reliable over long periods of continuous operation.

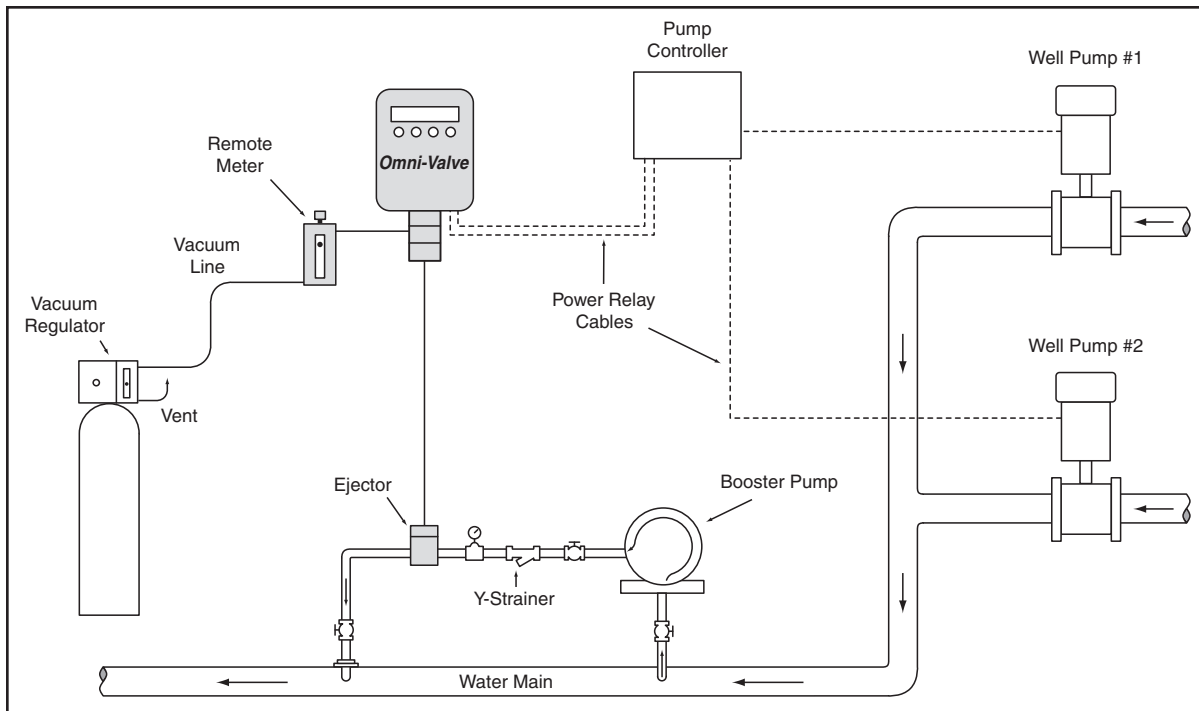


INSTRUMENTS





*Omni-Valve Installation Diagram (Compound Loop Control Mode)*



*Omni-Valve Installation Diagram (Step Feed Control)*